



YOUR BAKERY SOLUTIONS PROVIDER

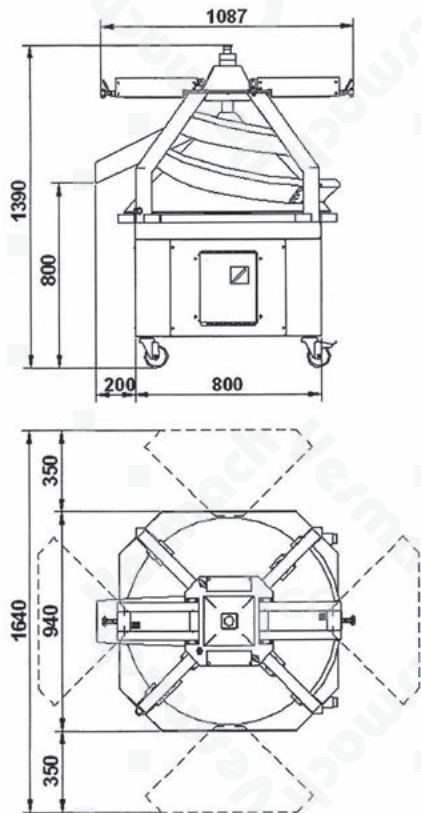
Product Name:



# Conical Rounder ASR

Features:

- Stainless steel structure.
- Teflon-coated cone and channels suitable to work both soft and hard dough



Purpose:

*This machine is designed for rounding soft and/or non-standard dough. The piece of dough to be rounded is rotated around its own axis by the rotating cone, against the teflon-coated concave channels.*

## Specifications

## I ASR

Power	0.55 KW, 0.75HP,
Weight Range	50 - 1300 gr   1.76/45.85 Ounces
Mass Weight	235 kg   518 lbs
Dimension	1600 x 1140 x 1650 H
Mass with packing	275 kg   606 lbs