

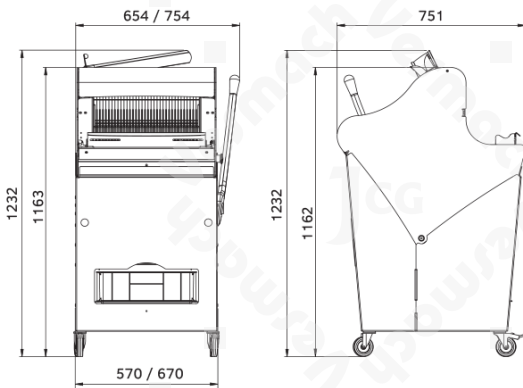
Vesmach

YOUR BAKERY SOLUTIONS PROVIDER

Product Name:

Bread Slicer

MODEL: C42S / C52S



KG 135 - 142 Kg.



Purpose:

Manual model with wheels suitable for general use, for compact bread or for bread with a medium hardness baked crust. Available in two cutting sizes (420 and 520 mm). This slicer suitable for small and medium sized laboratories

Specifications

Specifications	C42-S	C52-S
Max cutting height mm	180	
Max loaf dimensions mm	420 x 300	520 x 300
Voltage	400V / 3ph / 60Hz / 0,75Kw	
Net / gross weight kg	135/158	145 /168
Packing dimensions cm	L 82 x W 82 x H 162	