

**Vesmach**

YOUR BAKERY SOLUTIONS PROVIDER

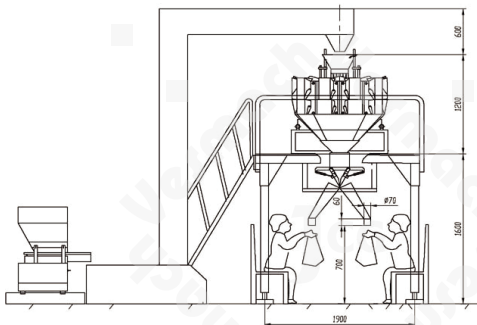
Product Name:

# Manual Vertical Form Fill Sealer

MODEL: JW B3

Units:

- Diverter device
- 10 head weigher
- Z type conveyer
- Vibration feeder
- Supporting platform
- Timing hopper



Features:

- Automatically complete all the process from feeding, weighing, filling and bag making, date printing to finished products outputting.
- Discharge and seal by hand;
- High Weighing precision and efficiency without crashing and wasting material.

Purpose:

*This machine is a type of automated assembly-line product packaging system. The machine constructs plastic bags out of a flat roll of plastic film, while simultaneously filling the bags with product and sealing the filled bags. Suitable for packing kinds of products with good-made bags, such as: puffy food, potato chips, popcorn, jelly, candy, happy fruit, apple chip, boiled dumpling, rice dumpling and medicine, etc.*

## Specifications

System Output	3456 ton/ year
Packaging Speed	30-70 ppm
Packaging Accuracy	0.1-1.5g (depends on the material)
Packaging Capacity	10-6500 grams