



Vermach

Cake & Cookie Depositor

MODEL: CP 550S

By making the body and controls the same for both the cookie and cake depositor, we were able to combine the features of both depositors in one. This made Vermach depositor ideal for medium size bakeries who want to improve consistency in product quality and reduce manpower requirements. This also gives bakeries flexibility in producing varieties of cookies and cakes based on scheduled production.

Cookies include wire cut, drop cookies and choux pastry. Cakes include batter type cakes and foam type cakes.

The Vermach Cookie Cake Depositor have had many "successful installations" producing the following items.

Cake Depositing Unit

- Chiffon Cake
- Roll Cakes
- Toasted Mamon Round
- Toasted Mamon Rectangular
- Icing Application
- Birthday Cakes
- Round Cakes
- Cup Cakes
- Taisan Cake
- Muffin
- Butter Slices
- Chocolate Slices
- Mamon
- Mini Mamon
- Kababayan (Muffin)
- Bañadas

Cookie Depositing Unit

- Pacencia Puti
- Lengua de Gato
- Egg Drops
- Meringue
- Butter Cookies
- Soft Crinkles
- Ube Bar
- Double Body
- Puto Seko
- Uraro Cookies
- Cake Decoration
- Danish Cookies
- Macaroons
- Cream Puff
- Peanut Cookies



If you're on a tight budget, you can opt to have a single type depositor and upgrade later when you are ready.

Amazingly, our depositor is the perfect partner for your automation needs. It solves a lot of your production problems. It is reliable and efficient. It is also really fast and easy to use. You'll be up and running in just a few hours producing thousands of cookies and cakes.

Cakes

Cake Hopper Head



Cake Mould



CP 550S



New Model

Cookie Hopper Head



Stationary Mould



Wire Cutter/Mould



Cookies

Nozzles



Main Features

Single phase



Memory for 10 product setting for each of Cookie and Cake



Mitsubishi HMI & PLC



All stainless steel body 720



Up to 12 nozzles per line



Easy to clean



Customized nozzles



Simple operation



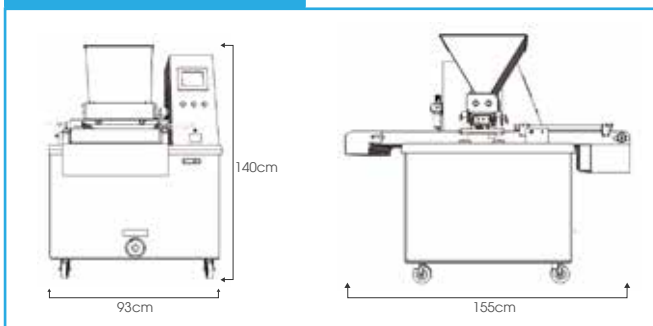
Cookie capacity of 25 lines per minute or an estimated 8640 pcs per hour for 6 nozzle round cookie to 21600 pcs for 12 nozzle round cookie. Cake capacity of an estimated 4320 pcs per hour for 4 nozzles 100mm Mamon or 720 Rolls per hour for 10"x15" pan standard chiffon roll

Specifications

Power	1.2KW, 220V, 1 Phase
No of Pieces (Estimated)	8" Round Cake (800 pcs/hr), Cup Cake 4x6 (4000 pcs/hr) Square Cake, 60x40cm (300 trays/hr), Puff 4x6(4000 pcs/hr)
Dimensions (cm)	L 155 x W 93 x H 140
Net Weight	350 Kg
Air Pressure	50 psi (regulated)
Volume of Hopper	Cake: 40L / Cookie: 25L
Depositor Amount	5cc Up
Memory	20 Products
Pan Size Width	46cm

*We reserve the right to change all technical specifications. ** Air compressor not included.

Machine Dimension



TEST YOUR PRODUCT NOW! Schedule for a date and start automating your production. It's the smartest move you'll make.

JCG Marketing Group, Inc.
Your partner in growth...

SHOWROOM: 1Vesmach Bldg. Km. 19 East Service Rd., Brgy. SMDP, Parañaque City 1700 PH
TELEPHONE #: (02) 8806 7620, (02) 7219 1007, 09176237695
EMAIL: info@vesmach.com | WEBSITE: www.vesmach.com | www.vesmach.ph